



SERVING THE FOOD INDUSTRY SINCE 1951

## Refrigerated Sandwich / Salad Prep Tables

ITEM:	50045	50034	50046	50047	50048
MODEL:	PT-CN-0686-HC	PT-CN-0920-HC	PT-CN-1194-HC	PT-CN-1524-HC	PT-CN-1778-HC

50045



50034



**Enhance your food business setup with ultimate Refrigerated Prep Tables.**

These tables designed to efficiently organize and cool ingredients for a variety of culinary needs, from sandwiches to salads and beyond.

50046



50047



50048



### KEY FEATURES

✓ **Ample Space**

These refrigerated prep tables offer a spacious workspace for extra ingredient storage.

✓ **Energy Efficiency**

The isolation system is built using Cyclopentane to maintain food storage temperature while reducing energy consumption.

✓ **Durability**

High-quality stainless steel structure ensures durability, longevity, and maximum hygiene standards.

✓ **Convenience**

Thick commercial-grade cutting board mounted on the table provides a convenient surface for food prep, protecting it from scratches.

✓ **Mobility**

The table features heavy-duty casters for easy movement and setup, protecting the surface from damage.

✓ **Eco-Friendly**

The equipment uses Hydro-Carbon R290 refrigerant, making it environmentally friendly and energy efficient, resulting in up to 28% lower energy costs.

Telephone: 1-800-465-0234

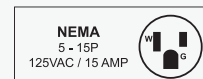
Fax: (905) 607-0234

Email: sales@omcan.com

Website: www.omcan.com



Authorized Dealer



## TECHNICAL SPECIFICATIONS

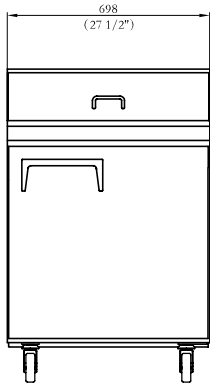
Item	50045	50034
Model	PT-CN-0686-HC	PT-CN-0920-HC
Features	<b>28" with 1 Door</b>	<b>36" with 2 Door</b>
Width	28"	36"
Net Volume	201 L (7.1 cu.ft.)	258 L (9.1 cu. ft.)
Temperature Range	0.5 - 5°C (33 - 41°F)	0.5°C - 4.4°C (33°F - 40°F)
Max Ambient Temp Rating	32°C (90°F)	24°C (75°F)
Power	360W	430W
Amps	3.6A	4.3A
Electrical	110V / 60Hz / 1Ph	115V / 60Hz / 1Ph
Refrigerant	R290	
Isolation Material	Cyclopentane	
Cooling System	Ventilated	
Defrosting	Automatic	
Type of Controller	Digital	
Self-Closing Door	YES	
Number of Doors	1	2
Number of Shelves	1	2
Number of Casters	4	
Shelf Loading Capacity	88 lbs (40 kg)	
Shelf Material	Plastic-coated	
Number of Insert Pans	Eight 1/6 Pans	Ten 1/6 Pans
Interior Dimensions (WDH)	24.2" x 19.8" x 23.5" (615 x 504 x 597 mm)	33" x 19.8" x 23.5" (837 x 504 x 597 mm)
Exterior Dimensions (WDH)	27.5" x 29.5" x 42.3" (698 x 750 x 1075 mm)	36.2" x 29.5" x 42.3" (920 x 750 x 1075 mm)
Gross Dimensions (WDH)	32.7" x 34.6" x 45.7" (830 x 880 x 1160 mm)	41.4" x 34.6" x 45.7" (1052 x 878 x 1160 mm)
Net Weight	176.4 lbs. (80 kg)	220.5 lbs. (100 kg)
Gross Weight	216.1 lbs. (98 kg)	286.6 lbs (130 kg)

## TECHNICAL SPECIFICATIONS

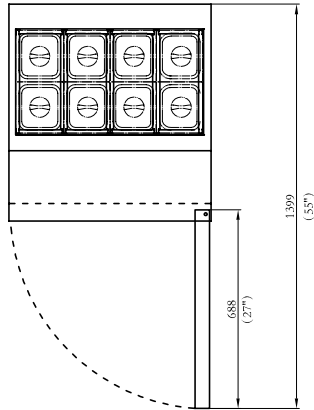
Item	50046	50047	50048
Model	PT-CN-1194-HC	PT-CN-1524-HC	PT-CN-1778-HC
Features	<b>47" with 2 Doors</b>	<b>60" with 2 Doors</b>	<b>70" with 3 Doors</b>
Width	47"	60"	70"
Net Volume	357 L (12.6 cu.ft.)	469 L (16.6 cu.ft.)	553 L (19.5 cu.ft.)
Temperature Range	0.5 - 5°C (33 - 41°F)		
Max Ambient Temp Rating	32°C (90°F)		
Power	490W	540W	780W
Amps	4.9A	5.4A	7.8A
Electrical	110V / 60Hz / 1Ph		
Refrigerant	R290		
Isolation Material	Cyclopentane		
Cooling System	Ventilated		
Defrosting	Automatic		
Type of Controller	Digital		
Self-Closing Door	YES		
Number of Doors	2	2	3
Number of Shelves	2	2	3
Number of Casters	4		
Shelf Loading Capacity	88 lbs. (40 kg)		
Shelf Material	Plastic-coated		
Number of Insert Pans	Twelve 1/6 Pans	Sixteen 1/6 Pans	Eighteen 1/6 Pans
Interior Dimensions (WDH)	43" x 19.8" x 23.5" (1091 x 504 x 597 mm)	56.5" x 19.8" x 23.5" (1434 x 504 x 597 mm)	66.6" x 19.8" x 23.5" (1691 x 504 x 597 mm)
Exterior Dimensions (WDH)	46.8" x 29.5" x 42.3" (1188 x 750 x 1075 mm)	60.2" x 29.5" x 42.3" (1529 x 750 x 1075 mm)	70.4" x 29.5" x 42.3" (1787 x 750 x 1075 mm)
Gross Dimensions (WDH)	52" x 34.6" x 45.7" (1320 x 880 x 1160 mm)	65.4" x 34.6" x 45.7" (1660 x 880 x 1160 mm)	75.6" x 34.6" x 45.7" (1920 x 880 x 1160 mm)
Net Weight	253.5 lbs. (115 kg)	319.7 lbs. (145 kg)	343.9 lbs. (156 kg)
Gross Weight	304.2 lbs. (138 kg)	416.7 lbs. (189 kg)	451.9 lbs. (205 kg)

## TECHNICAL DRAWINGS

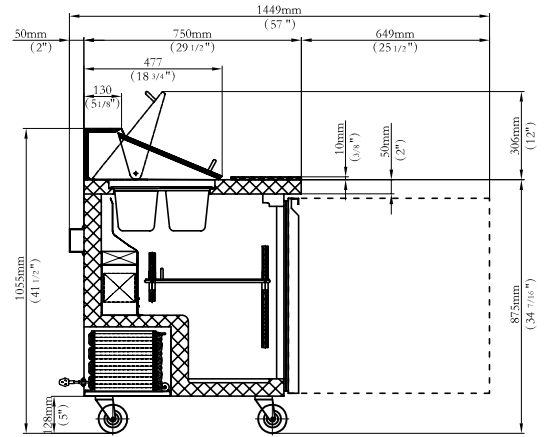
50045



Front

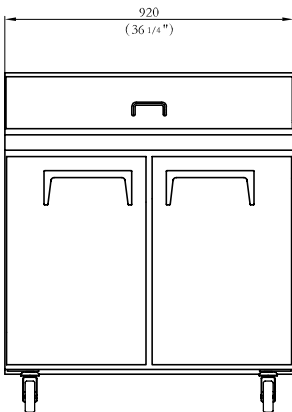


Top

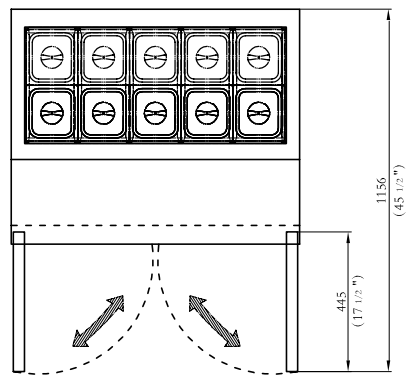


Side

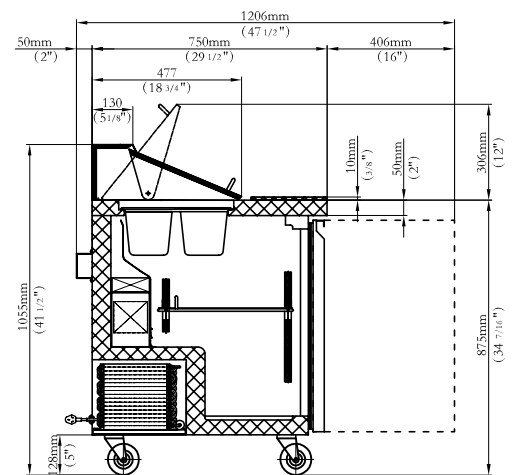
50034



Front



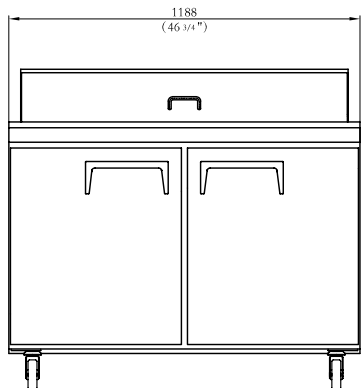
Top



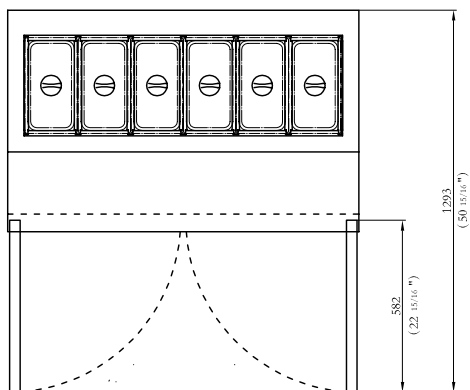
Side

## TECHNICAL DRAWINGS

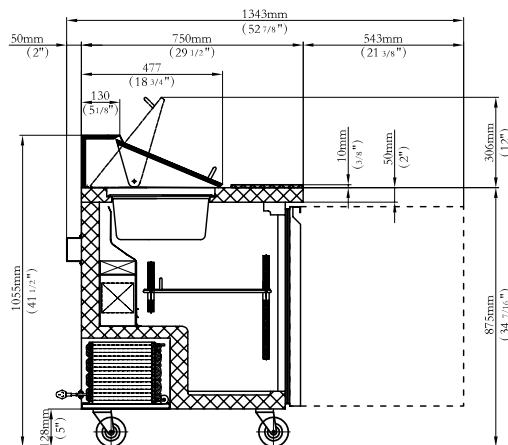
50046



Front

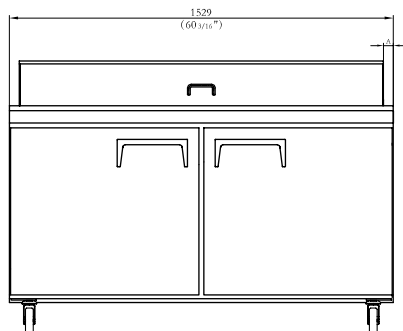


Top

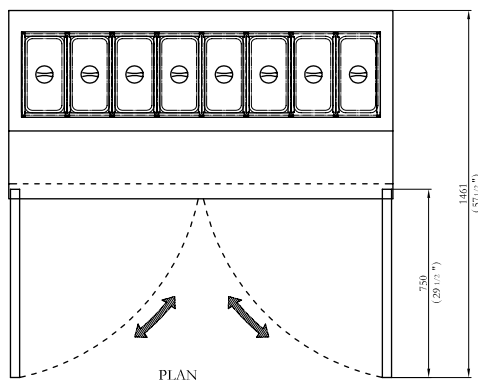


Side

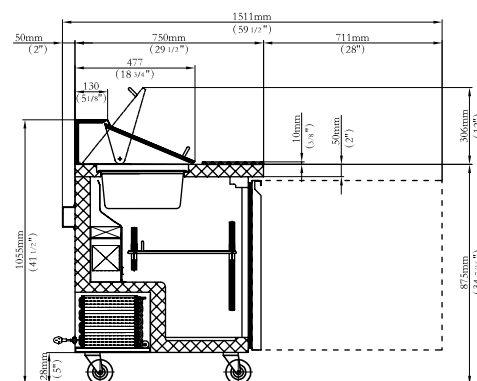
50047



Front



Top



Side

## TECHNICAL DRAWINGS

